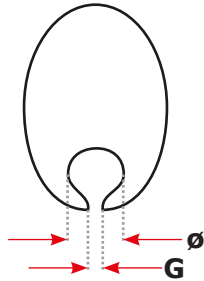
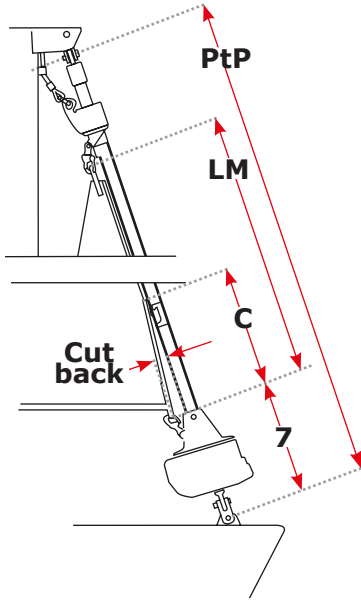




# HEADSAIL

Name	Date
Boattype	Sailtype
Furling system	



Tack		
Cleeve		
Head		

I	
J	
LM	
HLP	
PtP	
Cut back	
Luff	
Leech	
Foot	
C	
7	
R1	
R2	
12	
13	
ø	
G	
Foam	
UV	

