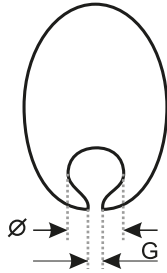
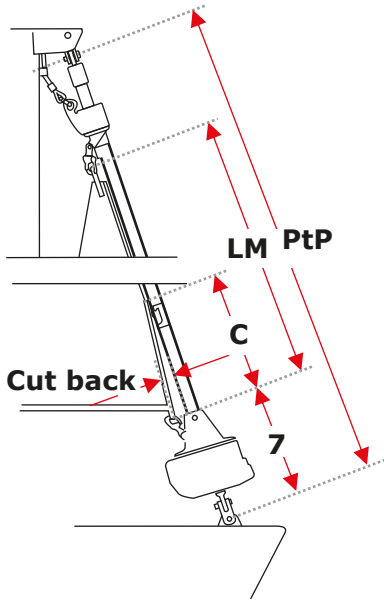


HEADSAIL



Name	
Boattype	
Sailtype	
Furling system	



Tack	
Cleeve	
Head	

I	
J	
LM	
LP	
PtP	
Cut back	
Luff	
Leech	
Foot	
C	
3	
7	
10	
11	
12	
13	
15	
Ø	
G	
Foam	
UV	

